

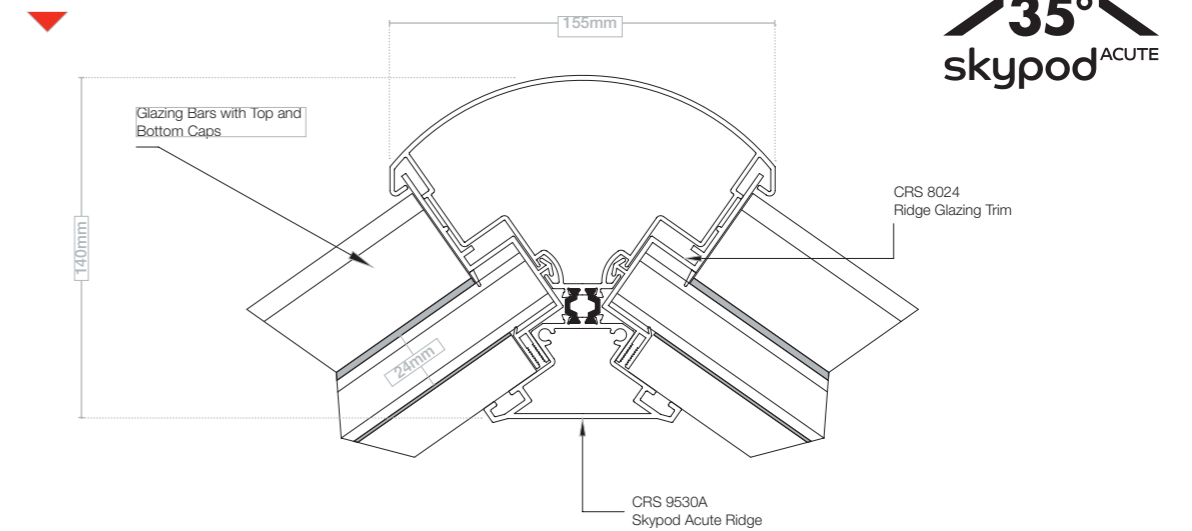
COMPONENTS

- CRS 9244** skypod<sup>ACUTE</sup> 2 bar top cap
- CRS 9243** skypod<sup>ACUTE</sup> 3 bar top cap
- CRS 9245** skypod<sup>ACUTE</sup> SQ top cap
- CRS 9523A** skypod SQ Foam bung sealing plate
- CRS 9525A** skypod<sup>ACUTE</sup> 2 bar spider bracket
- CRS 9524A** skypod<sup>ACUTE</sup> 3 bar spider bracket
- CRS 9526A** skypod<sup>ACUTE</sup> SQ spider bracket
- CRS 8626S** / **CRS 9626S** Spider bracket screws
- CRS 9252** skypod<sup>ACUTE</sup> 2 bar bottom cap
- CRS 9251** skypod<sup>ACUTE</sup> 3 bar bottom cap
- CRS 9253** skypod<sup>ACUTE</sup> SQ bottom cap
- CRS 9422** skypod<sup>ACUTE</sup> Foam bung
- CRS 9425A** skypod<sup>ACUTE</sup> Foam bung sealing plate
- CRS 9520A** skypod<sup>ACUTE</sup> Ridge body
- CRS 8625** Single variable support stud
- CRS 8624** Double variable support stud
- CRS 9200** skypod screw cap covers
- CRS 8501A** Standard rafter
- CRS 8016** 25mm rafter top cap
- CRS 8011** Rafter bottom cap
- CRS 8502A** Edwardian hip
- CRS 8017** 25mm Edwardian hip top cap
- CRS 8012** Hip bottom cap
- CRS 9551A** skypod<sup>ACUTE</sup> Ring Beam 35°
- CRS 9553A** skypod<sup>ACUTE</sup> Thermally broken eaves beam 35°
- CRS 9934** skypod Boss kit
- CRS 8053** Eaves beam seal
- CRS 8024** 24/25mm ridge glazing trim
- CRS 8654** 90° eaves beam cleat
- CRS 8201** skypod Rafter/Hip end cap
- CRS 9201** skypod Rafter end cap
- CRS 9202** skypod Hip rafter end cap
- CRS 8211** Glazing stop screws (CRS 8682 Glazing stop screws)
- CRS 9611S** Stainless steel glazing stop (CRS 8682 Glazing stop screws)

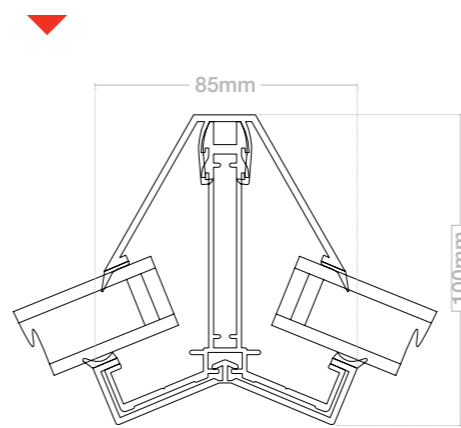
ASSEMBLIES

Ridge assembly

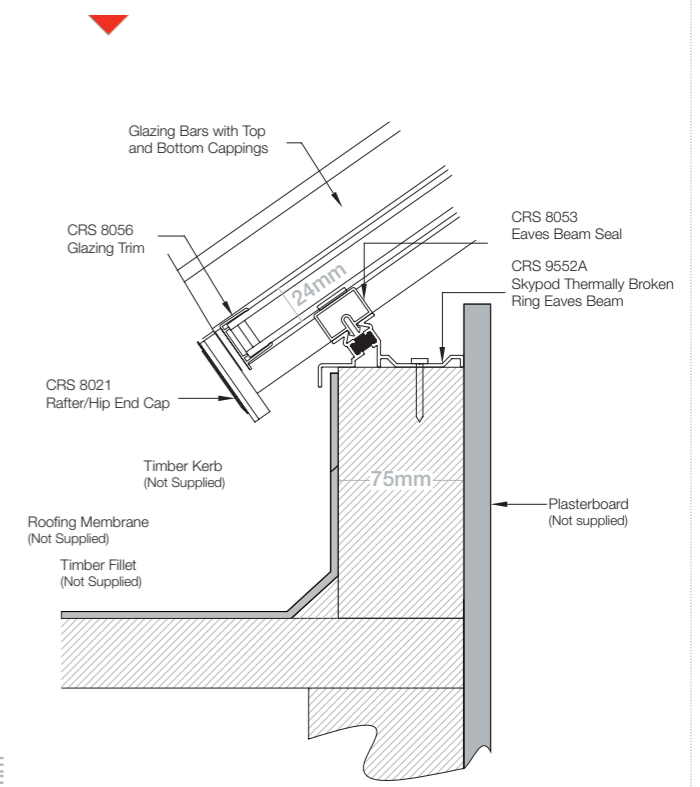
Powder-coated aluminium, thermally broken



Hip assembly



Ring beam on kerb assembly



Rafter assembly

