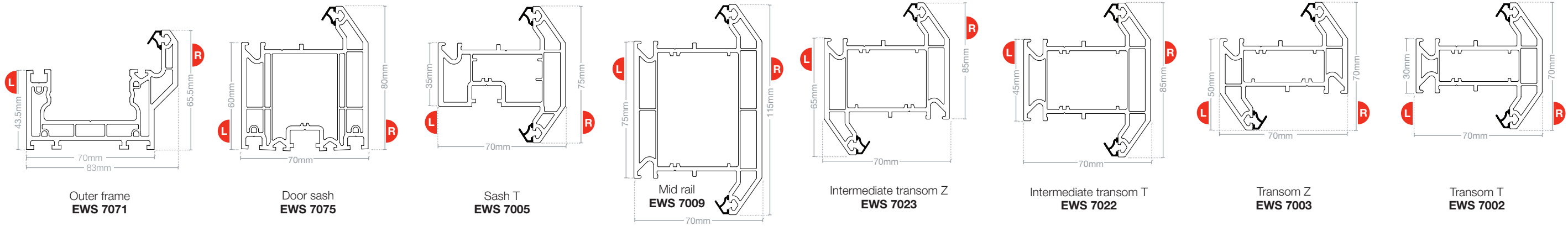
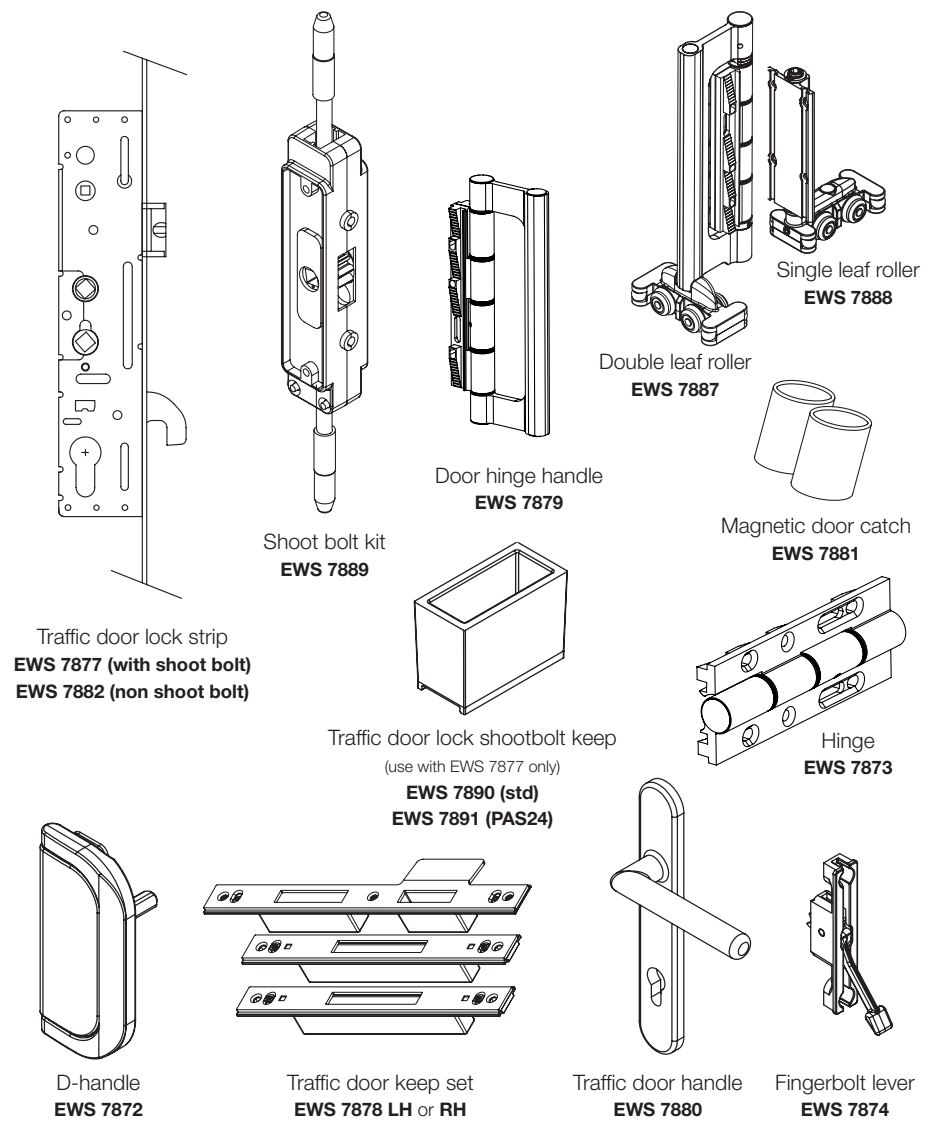


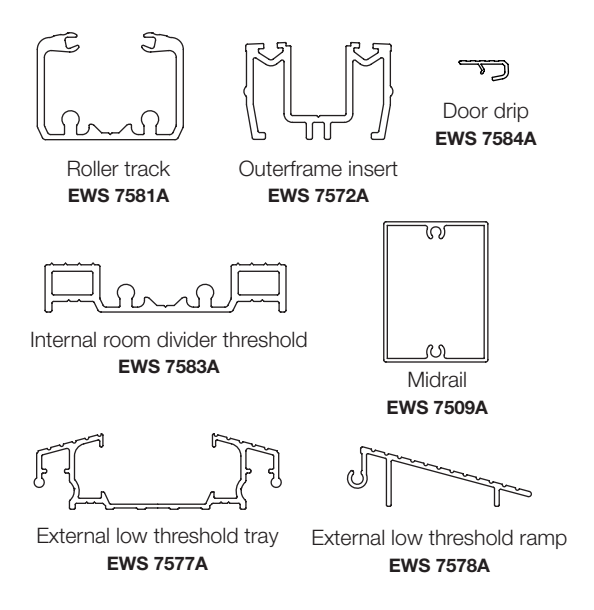
MAIN PROFILES



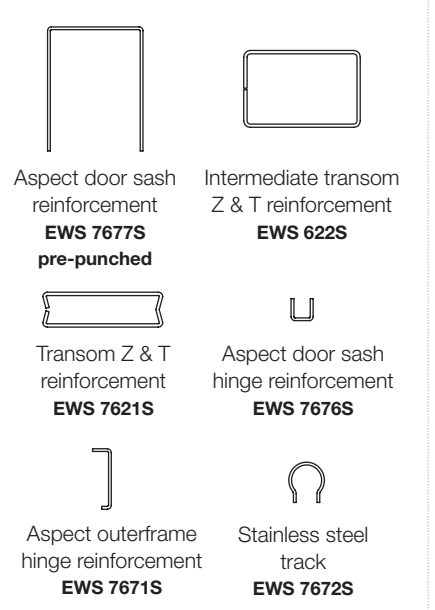
HARDWARE



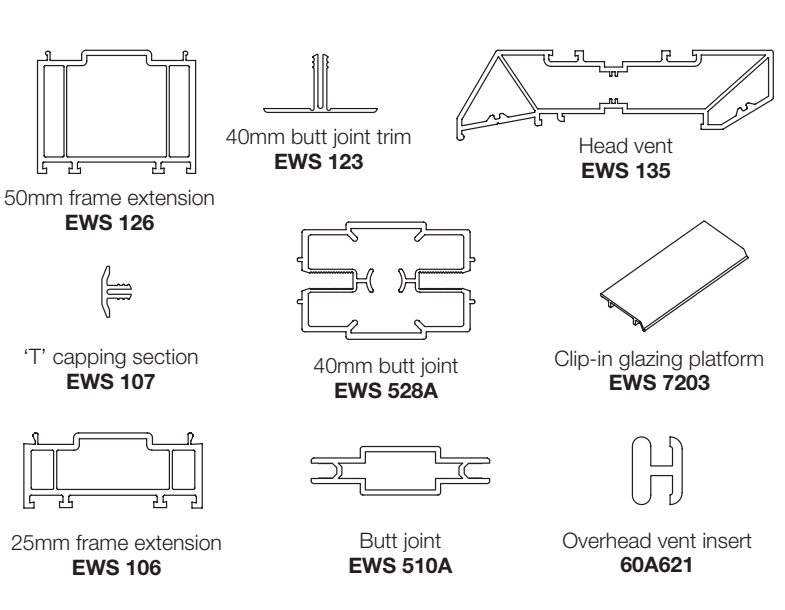
ALUMINIUM EXTENSIONS



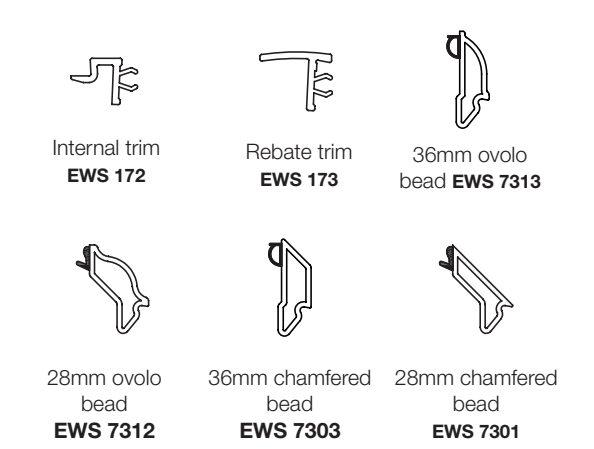
STEEL REINFORCEMENTS



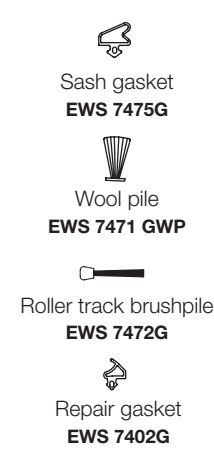
ANCILLARIES



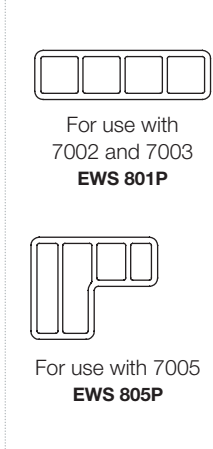
TRIMS & BEADS



WEATHER SEALS



PVC-U TI'S



CILLS

