

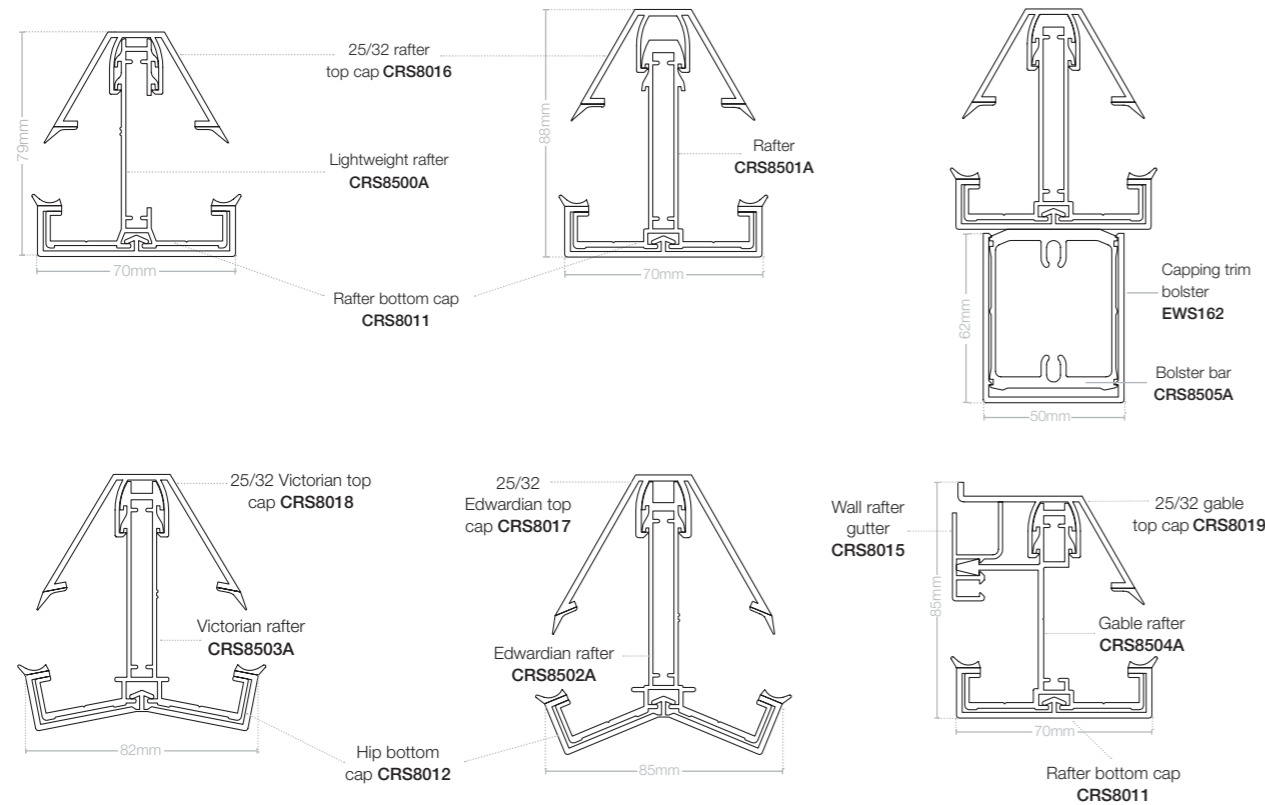


All together better

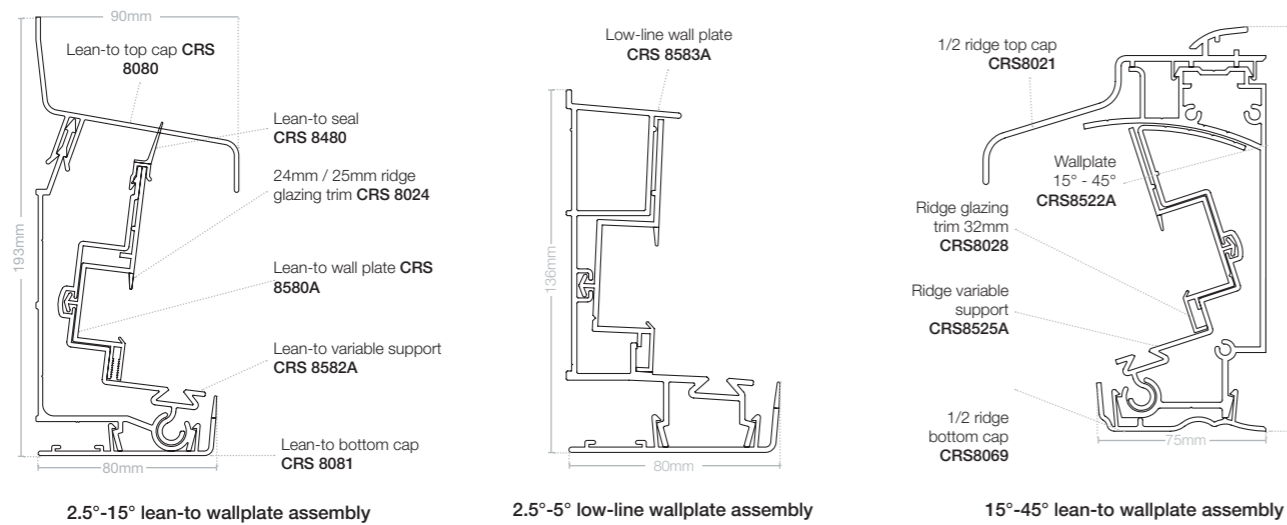
conservatory roofs

Main assemblies

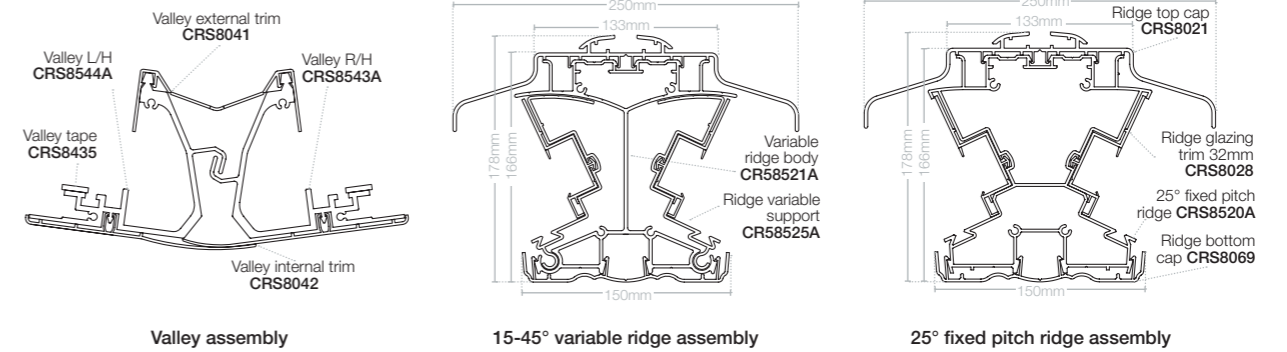
RAFTER & HIP ASSEMBLIES



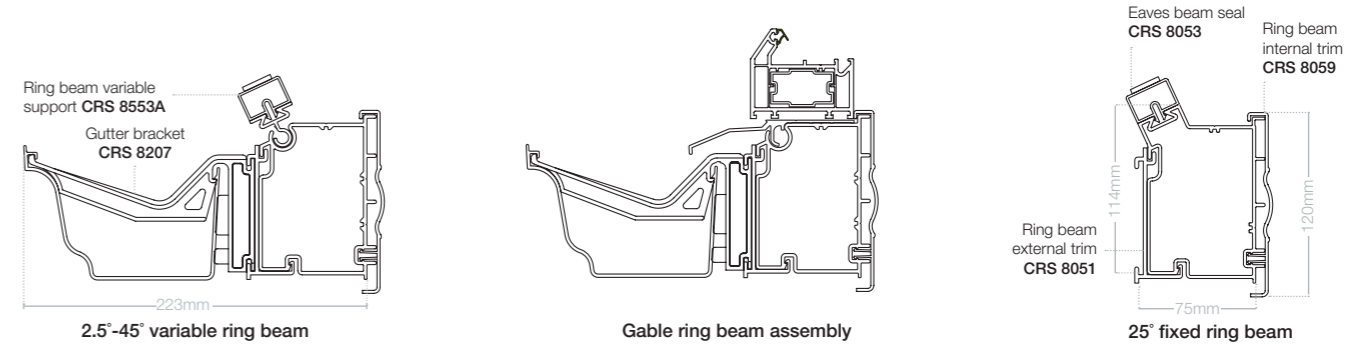
LEAN-TO WALL PLATES



VALLEY & RIDGE ASSEMBLIES



RING BEAMS



BOX GUTTERS

