

Alunet BF73 Bifold Ordering Guide



Product Detail

FOR RESIDENTIAL, RETAIL AND COMMERCIAL APPLICATIONS

MITRED CORNERS

DOCUMENT L COMPLIANT

PAS 24 UPGRADE AVAILABLE FOR ENHANCED SECURITY PERFORMANCE

U VALUE AS LOW AS 1.4 (DEPENDENT ON GLASS)

MULLION SIGHTLINE OF 120MM

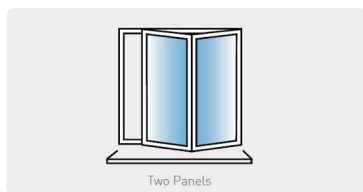
MAXIMUM WIDTH PER PANE OF 1200MM

MAXIMUM HEIGHT OF 3000MM

MAXIMUM SASH WEIGHT OF 120KG

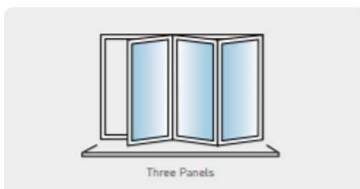
CONFIGURATION OPTIONS AND HANDLE GUIDE

SINGLE DOOR/
TWO PANES

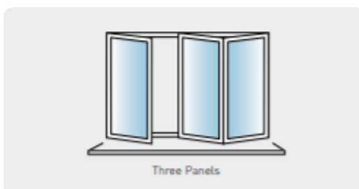


LOCKING SHOOTBOLT

THREE PANES

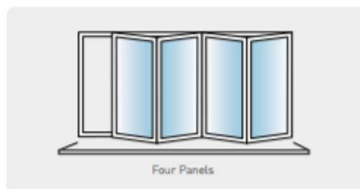


LEVER/LEVER - IN & OUT
NON-LOCKING SHOOTBOLT

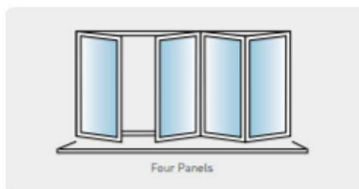


LEVER/LEVER (IN AND OUT)
WITH RESTRICTOR
LOCKING SHOOTBOLT

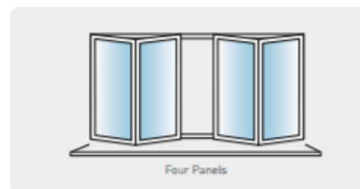
FOUR PANES



2 X LOCKING SHOOTBOLT

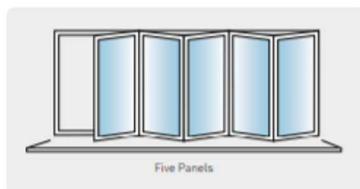


LEVER/LEVER (IN & OUT)
WITH RESTRICTOR
NON-LOCKING SHOOTBOLT

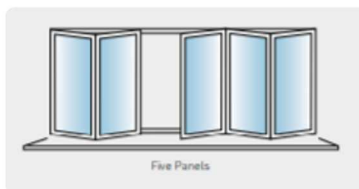


2 X LOCKING SHOOTBOLT

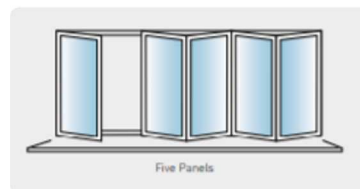
FIVE PANES



LEVER/LEVER (IN & OUT)
NON-LOCKING SHOOTBOLT

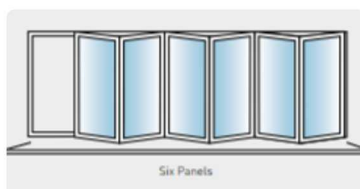


LOCKING SHOOTBOLT TO RIGHT
LEVER/LEVER (IN & OUT) TO LEFT
NON-LOCKING SHOOTBOLT

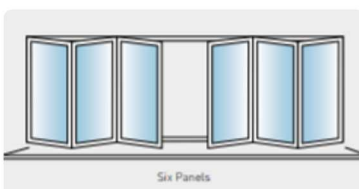


LEVER/LEVER (IN & OUT)
WITH RESTRICTOR
2 X LOCKING SHOOTBOLT

SIX PANES



3 X LOCKING SHOOTBOLT

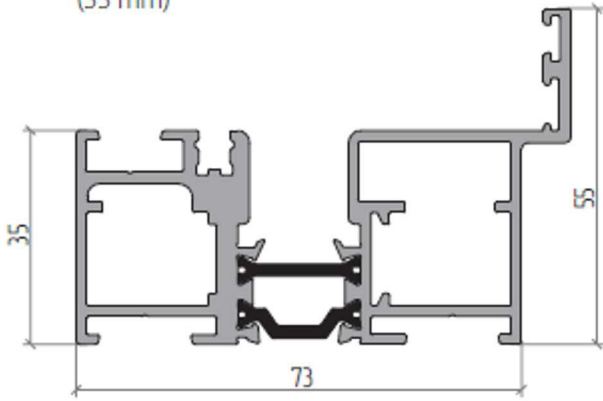


2 X LEVER/LEVER (IN & OUT)
2 X NON-LOCKING SHOOTBOLT

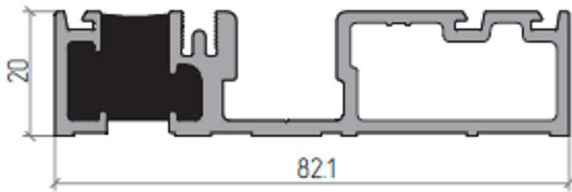
PLEASE NOTE - ON BIFOLDS WITH ONLY SHOOTBOLT HANDLES, (LOCKING AND NON-LOCKING), THERE IS NO EXTERNAL ACCESS

OUTER FRAME/THRESHOLD

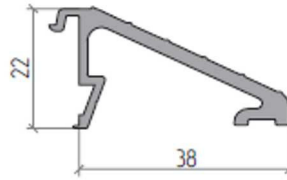
Standard cill outer frame
(55 mm)



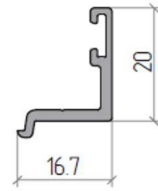
Low level cill/threshold



Low threshold
ramp



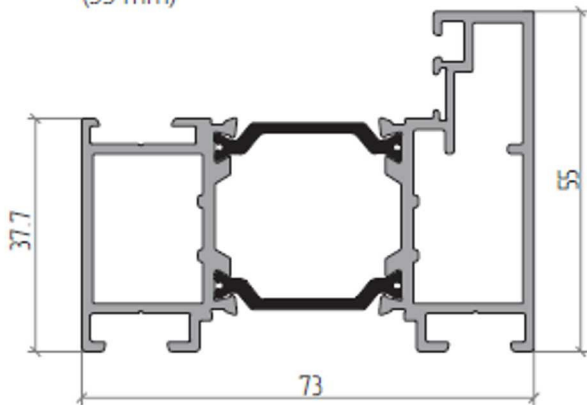
Low threshold
rebate



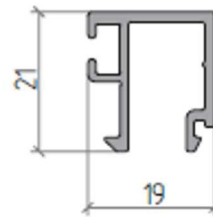
CHOOSE FOR IMPROVED
WEATHER TIGHTNESS

SASH

Slim sash
(55 mm)



Glazing bead
for 28 mm DGU

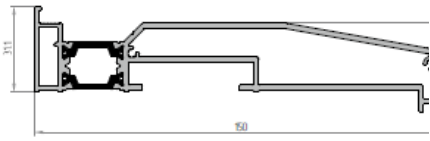


CILLS

Drainage sub sill (150 mm)

AYPC.BF73.0405

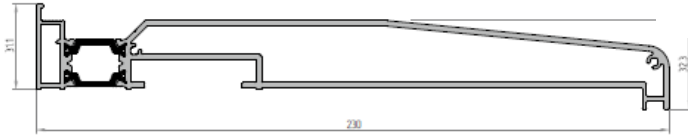
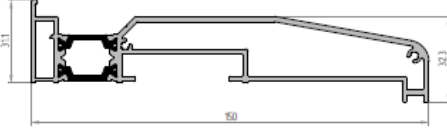
m = 2.257 kg/m
P = 455.0 mm
S = 888.7 mm²



Drainage sub sill (190 mm)

AYPC.BF73.0403

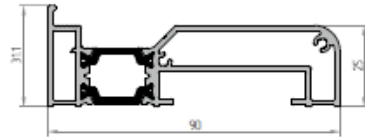
m = 2.689 kg/m
P = 527.1 mm
S = 1048.7 mm²



Drainage sub sill (90 mm)

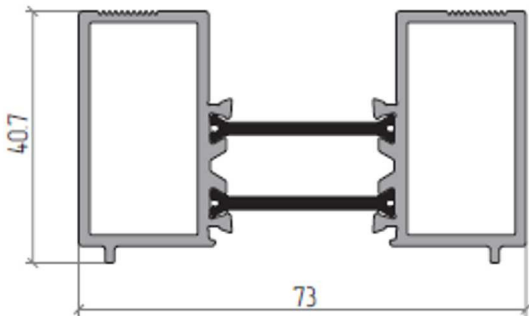
AYPC.BF73.0402

m = 1.452 kg/m
P = 291.1 mm
S = 587.7 mm²



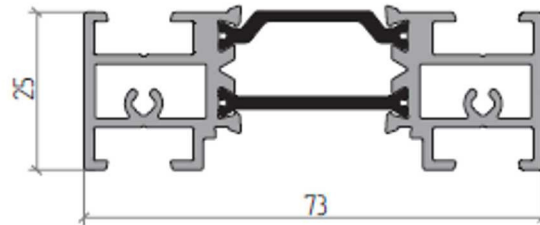
ADDONS

Trickle vent



TRICKLE VENTS MUST GO IN A
40MM ADD ON

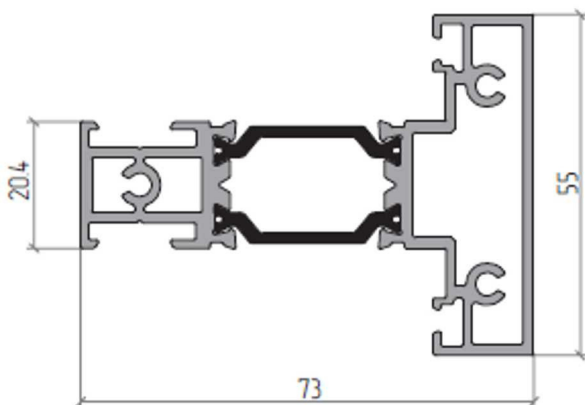
Sliding post/mullion/extension



SASH TRANSOM

TYPICALLY USED WITH FRENCH AND SINGLE DOORS ONLY

Sash transom



SHOOTBOLT HANDLES

LOCKING SHOOTBOLT HANDLE



NON-LOCKING SHOOTBOLT HANDLE



COLOUR OPTIONS



WHITE



POLISHED CHROME



BLACK



SATIN ANODISED

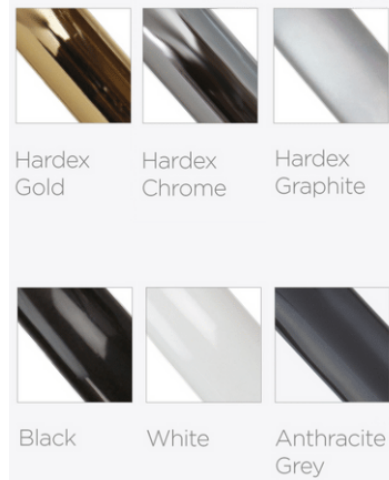


ANTHRACITE GREY

SHOOTBOLT HANDLES AND MAGNETS ARE COLOUR MATCHED TO DOOR FOR WHITE AND ANTHRACITE GREY (TEXTURED OR MATT) BI-FOLDS, OTHERWISE WILL MATCH THE TRAFFIC DOOR HANDLE UNLESS OTHERWISE SPECIFIED

TRAFFIC/MASTER DOOR HANDLE

COLOUR OPTIONS



CYLINDER



50/50 3* KEY/KEY CYLINDER USED ON ALL CONFIGURATIONS WITH TRAFFIC DOOR
3 KEYS PROVIDED AS STANDARD

OPTIONAL: KEY/THUMBTURN, ADDITIONAL KEYS

FOR LOCKING SHOOTBOLT HANDLES, A 40/10 HALF CYLINDER IS USED

MAGNETIC CATCH

COLOUR OPTIONS



BLACK



POLISHED CHROME



WHITE



7016 GREY



SATIN

MAGNETIC CATCHES ARE COLOUR MATCHED TO THE DOOR FOR WHITE, ANTHRACITE GREY AND BLACK BIFOLDS. FOR ANY OTHER COLOUR, MAGNETIC CATCHES ARE MATCHED TO THE TRAFFIC DOOR HANDLE, UNLESS OTHERWISE SPECIFIED.

USEFUL INFORMATION

PAS 24 UPGRADES

TO ACHIEVE PAS24/DOC Q SPEC, THE FOLLOWING WILL BE UPGRADED:
HINGE PLATES
STAINLESS STEEL SHOOTBOLT ENDS

GLASS ALSO NEEDS UPGRADING TO 6.4MM LAMI. IF BUYING GLAZED, THIS WILL BE PROVIDED. IF BUYING UNGLAZED, PLEASE ENSURE GLASS SPEC IS UPDATED.

COLOUR

WE OFFER A FULL RANGE OF COLOURS AND FINISHES.

OUR STANDARD COLOUR OPTIONS, WHICH ARE ON A 10 WORKING DAY LEAD TIME ARE:

MATT ANTHRACITE GREY (7016)

WHITE (9016)

MATT BLACK (9005)

MATT ANTHRACITE GREY (7016) ON WHITE (9016)

MATT BLACK (9005) ON WHITE (9016)

ALL OTHER STANDARD RAL FINISHES ARE ON A 15 WORKING DAY LEAD TIME. IN ORDER TO ORDER ANY OTHER COLOURS, WE NEED A RAL CODE PROVIDING FROM YOU. AN ORDER WILL NOT BE PUT INTO PRODUCTION UNTIL A RAL CODE HAS BEEN PROVIDED.

APART FROM THOSE LISTED ABOVE, DUAL COLOURS ARE ON A 30 WORKING DAY (6 WEEK) LEAD TIME.

WE ALSO OFFER FOILED FINISHES (BOTH SINGLE AND DUAL COLOUR). AS MANY DIFFERENT PROFILE COMPANIES CALL FOILS BY DIFFERENT NAMES, WE NEED TO BE PROVIDED WITH THE RENOLIT FOIL CODE, AS PICTURED BELOW:



PLEASE DETAIL THIS
CODE ON YOUR
ORDER FORM



Gemini Aluminium

sales@geminiupvc.co.uk
www.geminiupvc.co.uk
0161 6266 366