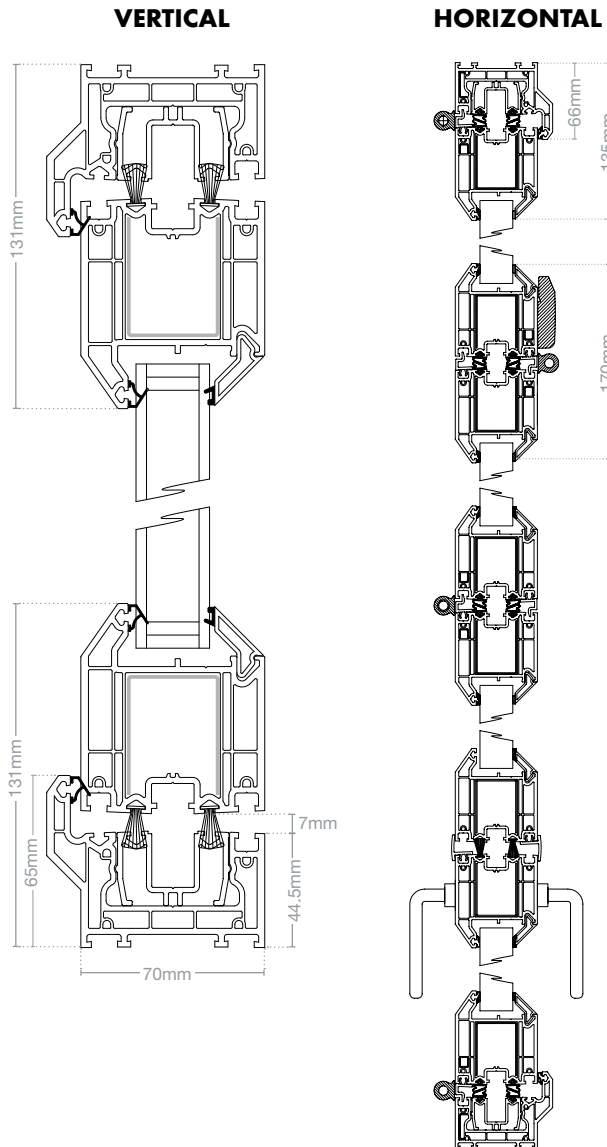


# Product specification Aspect bi-fold doors



## 4-3-1 CONFIGURATION DOUBLE GLAZED

### Profiles

- Eurocell **aspect** profile system

### Reinforcements available

- PVC-U Thermal Inserts
- Steel (shown)
- Aluminium

### Cill options

Standard: 85mm, 150mm and 180mm

### System accreditations

- Eurocell **aspect** profile system is BBA certified
- PAS 23 /24
- BS6375-1:2009

### Thermal performance

U-VALUES  
AS LOW AS

**1.3**

DOUBLE GLAZED

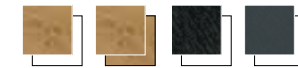
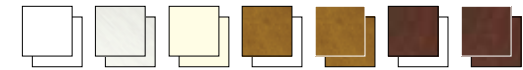
U-VALUES  
AS LOW AS

**0.9**

TRIPLE GLAZED

### Colour options

#### Profile colours



#### Non-standard options

Eurocell profiles are available in any colour from our made-to-order range. These are available on a three-week lead-time.

#### Hardware colours



### Min / max sizes

If the doors are to be manufactured outside these sizes, please consult Eurocell's technical department.

System	Width (mm)	Height (mm)
Aspect bi-fold doors	Max: 6000 Min: 1200	Max: 2300 Min: 1800

**EUROCELL  
ACCREDITATIONS**



BS EN ISO 9001:2008



Member



Partner