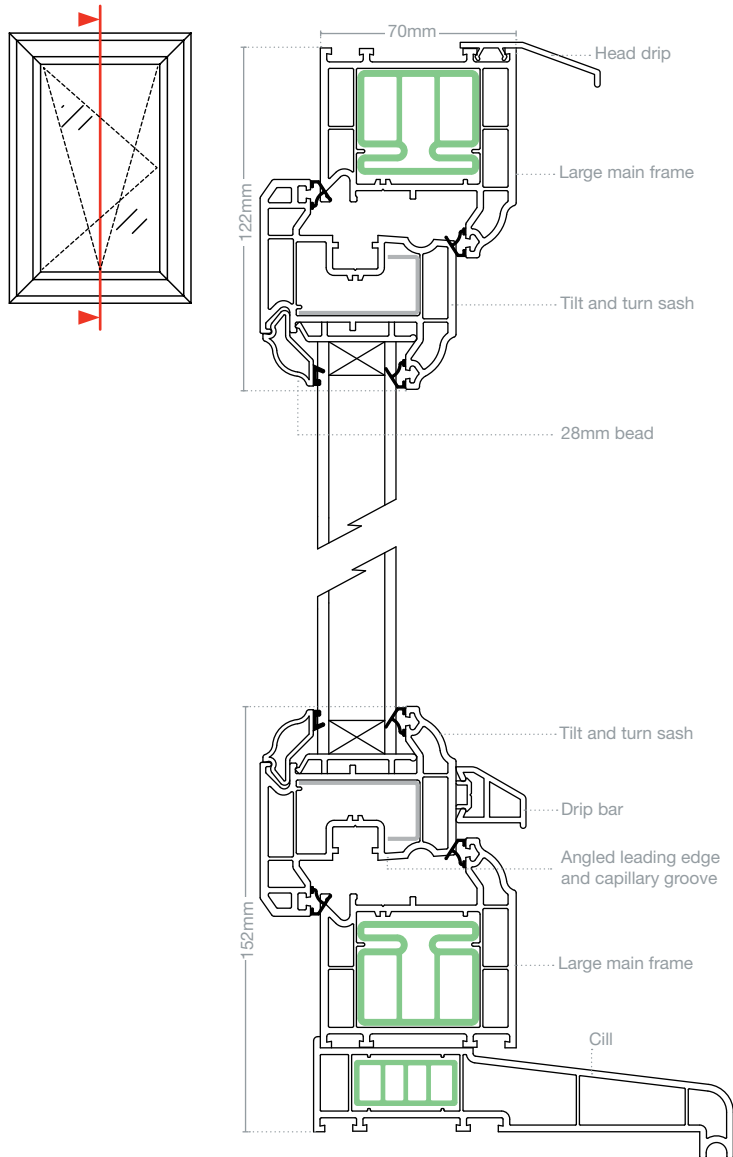


Product specification Eurologik tilt and turn windows



EUROLOGIK TILT & TURN DOUBLE GLAZED INWARD OPENING, INTERNALLY GLAZED

Profiles

- Eurocell **eurologik** 70mm system
- Large outer frame

Reinforcements

- PVC-U Thermal Inserts and steel

Cill options

Standard: 85mm (130mm*), 150mm (195mm*) and 180mm (225mm*)

* When used with cill extender

Accreditations

- Eurocell **eurologik** profile system is BBA certified
- BS EN 12608, BS 7412, BS 6375, BS 7950

Style



Ovolo



Chamfered

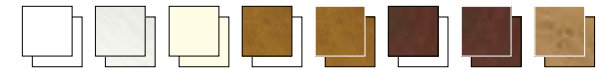
Thermal performance

System	Config	Glass 1 (external)	Glass 2 (internal)	Gas fill	Spacer bar	Reinforcing	WER	Energy Index	U Value
tilt & turn	4/20/4	Float	SG Planitherm Plus	Argon	Swisspacer V	Steel with PVC-U Thermal Inserts	B	-9	1.4
tilt & turn	4/20/4	SG Diamant	SG Planitherm Plus	Argon	Superspacer	Steel		-7	1.48
tilt & turn	4/20/4	Float	AGC Planibel A	Argon	Thermobar	Steel	C	-12	1.6
tilt & turn	4/20/4	Float	SG Planitherm Plus	Argon	Aluminium	Steel with PVC-U Thermal Inserts		-19	1.6

Note: The above calculations should be used for guideline purposes only. Other options also available. To have **eurologik tilt & turn** performance simulated, please contact Eurocell's technical department.

Colour options

Standard colours



Non-standard options

Eurocell profiles are available in any colour from our made-to-order range. These are available on a three-week lead-time.

* White Ash and Irish Oak available in Ovolo styles only. Anthracite Grey and Slate Grey available in Chamfered only

Min / max sizes

If the windows are to be manufactured are outside these sizes, please consult Eurocell's technical department.

System	Width (mm)	Height (mm)
Eurologik tilt and turn windows	Max: 1500 Min: 550	Max: 1500 Min: 550